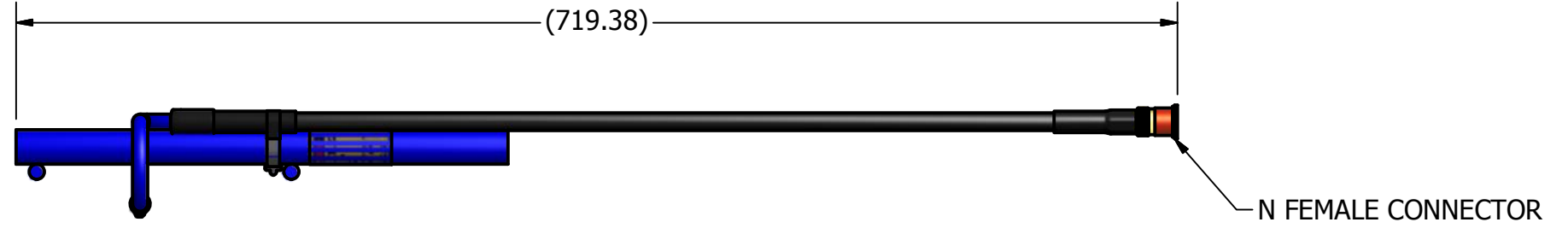
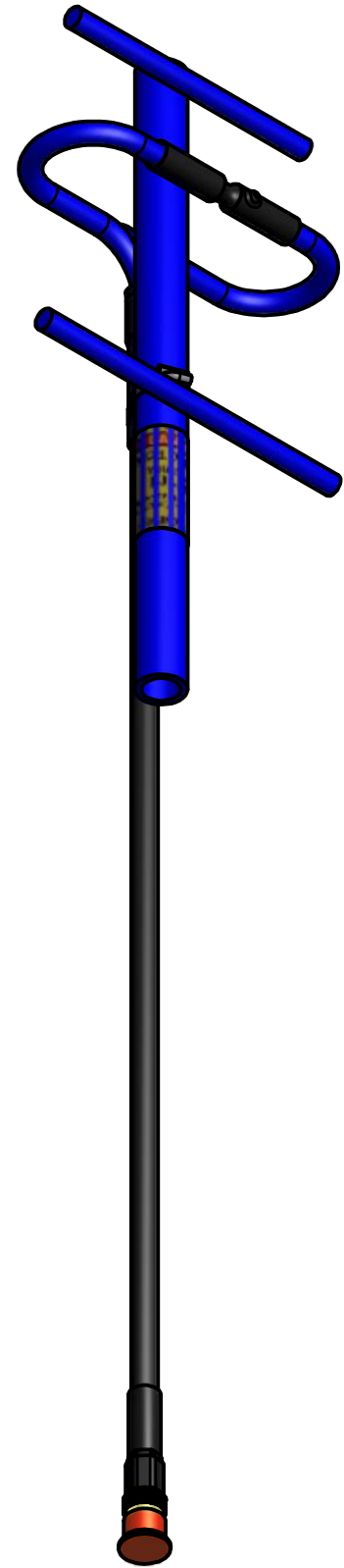



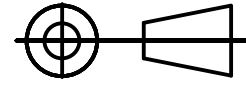
REVISION HISTORY			
REV	DESCRIPTION	DATE	APPROVED
1	806-896 MHZ, 6.5 DBD 3 ELEMENT YAGI, N FEMALE, 2' JUMPER	2/12/2016	CE



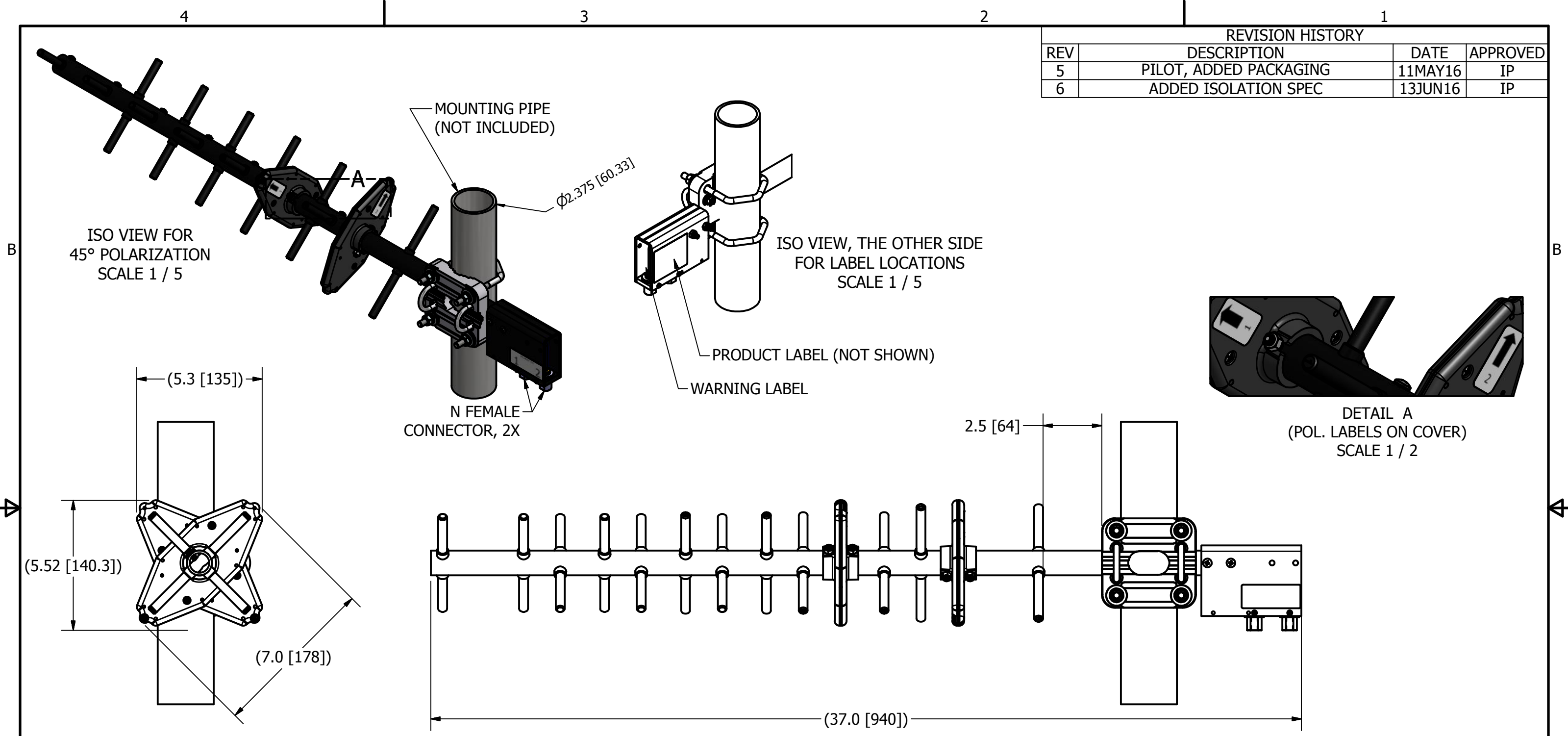
HIGH STRENGTH 6061-T6 ALUMINUM

NOTES: UNLESS OTHERWISE SPECIFIED

1. A (REF) DIMENSION IS FOR INFORMATION PURPOSES ONLY AND NO TOLERANCE IS IMPLIED.


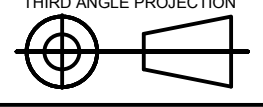
SUPPLIER PRINT ACCEPTANCE: <input type="checkbox"/> Accept drawing/specification: No changes needed: <input type="checkbox"/> This part is RoHS compliant <input type="checkbox"/> This part is REACH compliant <input type="checkbox"/> Accept drawing/specification. Notes/Mark-ups added <input type="checkbox"/> Cannot accept drawing/spec. Notes/Mark-ups added Supplier Projected Outgoing Quality: SIGMA LEVEL : _____ or PPM: _____ Signature _____ Date: _____	UNLESS OTHERWISE SPECIFIED DIMENSIONS ARE IN MILLIMETERS FOR TOLERANCES NOT SPECIFIED USE: [X mm ± 3 mm] [X.X mm ± .3 mm] [X.XX mm ± .13 mm] ANGULAR ± 1°	DRAWN: CE DATE: 8/30/2016 CHECKED: IP DATE: 8/30/2016 MATERIAL: SEE COMPONENT PRINTS FINISH: SEE COMPONENT PRINTS	 PCTEL, INC. 471 BRIGHTON DRIVE BLOOMINGDALE, IL 60108 PH. 630-372-6800 FAX. 630-372-8077
	THIRD ANGLE PROJECTION 	PCTEL PROPRIETARY DATA THE INFORMATION AND/OR DRAWINGS CONTAINED IN THIS DOCUMENT IS CONFIDENTIAL AND PROPRIETARY TO PCTEL, INC. AND MAY NOT BE USED, REPRODUCED, IN WHOLE OR IN PART, OR MODIFIED IN ANY WAY WITHOUT THE EXPRESS WRITTEN PERMISSION OF AN AUTHORIZED REPRESENTATIVE OF PCTEL, INC.	

REVISION HISTORY			
REV	DESCRIPTION	DATE	APPROVED
5	PILOT, ADDED PACKAGING	11MAY16	IP
6	ADDED ISOLATION SPEC	13JUN16	IP

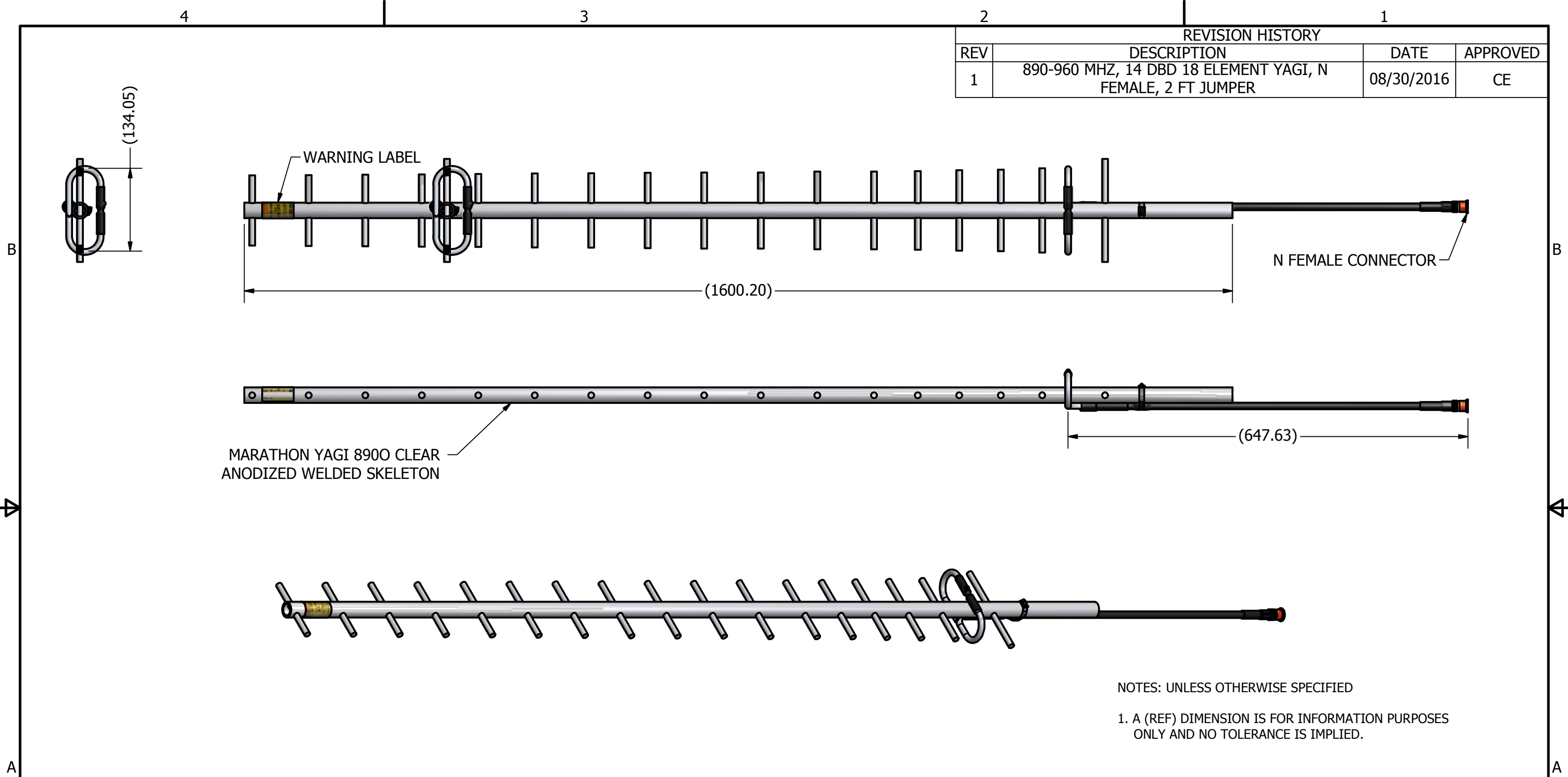


NOTES: UNLESS OTHERWISE SPECIFIED

- INTERPRET DRAWING PER ANSI/ASME Y14.5
- PARTS SHALL BE CLEAN AND FREE OF FOREIGN MATTER.
- ALL MATERIALS SHALL BE ROHS COMPLIANT.
- PARTS SHALL BE PACKAGED TO PREVENT DAMAGE IN SHIPMENT AND HANDLING.
- DIMENSIONS IN PARENTHESIS ARE FOR REFERENCE ONLY AND NO TOLERANCE IS IMPLIED.
- ELECTRICAL SPECIFICATIONS:
 FREQUENCY RANGE: 814-863 MHz
 GAIN: 12 dBi
 RETURN LOSS > 14 dB
 ISOLATION > 35 dB

SUPPLIER PRINT ACCEPTANCE:		UNLESS OTHERWISE SPECIFIED DIMENSIONS ARE IN INCHES		DRAWN IP DATE 2/29/2016		 PCTEL, INC. 471 BRIGHTON DRIVE BLOOMINGDALE, IL 60108 PH. 630-372-6800 FAX. 630-372-8077
<input type="checkbox"/> Accept drawing/specification: No changes needed: <input type="checkbox"/> This part is RoHS compliant <input type="checkbox"/> This part is REACH compliant <input type="checkbox"/> Accept drawing/specification. Notes/Mark-ups added <input type="checkbox"/> Cannot accept drawing/spec. Notes/Mark-ups added Supplier Projected Outgoing Quality:		FOR TOLERANCES NOT SPECIFIED USE: X.X in ± .1 in, X.XX in ± .01 in, X.XXX in ± .005 in ANGULAR ± 1°, FRACTIONAL ± 1/64		CHECKED DATE MATERIAL: SEE COMP. PRINTS FINISH: SEE COMP. PRINTS		
SIGMA LEVEL: _____ or PPM: _____ Signature _____ Date: _____		THIRD ANGLE PROJECTION 		PCTEL PROPRIETARY DATA THE INFORMATION AND/OR DRAWINGS CONTAINED IN THIS DOCUMENT IS CONFIDENTIAL AND PROPRIETARY TO PCTEL, INC. AND MAY NOT BE USED, REPRODUCED, IN WHOLE OR IN PART, OR MODIFIED IN ANY WAY WITHOUT THE EXPRESS WRITTEN PERMISSION OF AN AUTHORIZED REPRESENTATIVE OF PCTEL, INC.		DESCRIPTION ANTENNA, YAGI, DUAL POL, 814-863 MHZ, 12 DBI
				DRAWING NO. ODD_BMYD806K-DP		SIZE B SCALE 1/4 SHEET 1 OF 2

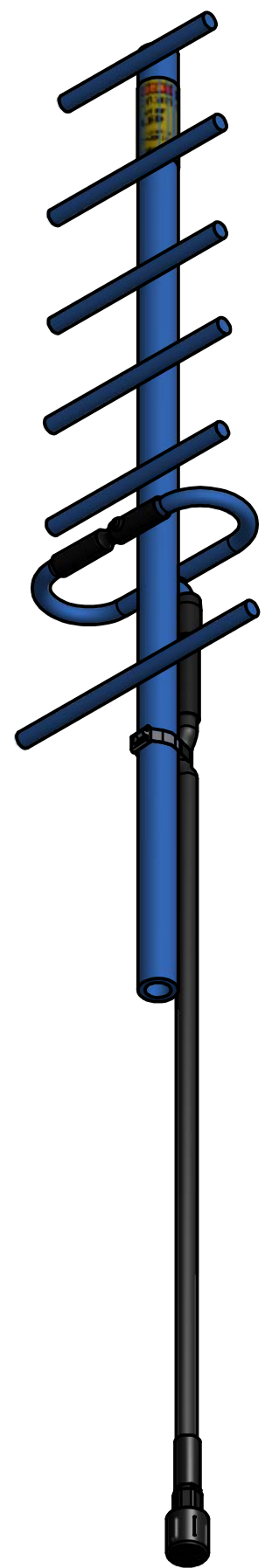
REVISION HISTORY			
REV	DESCRIPTION	DATE	APPROVED
1	890-960 MHZ, 14 DBD 18 ELEMENT YAGI, N FEMALE, 2 FT JUMPER	08/30/2016	CE



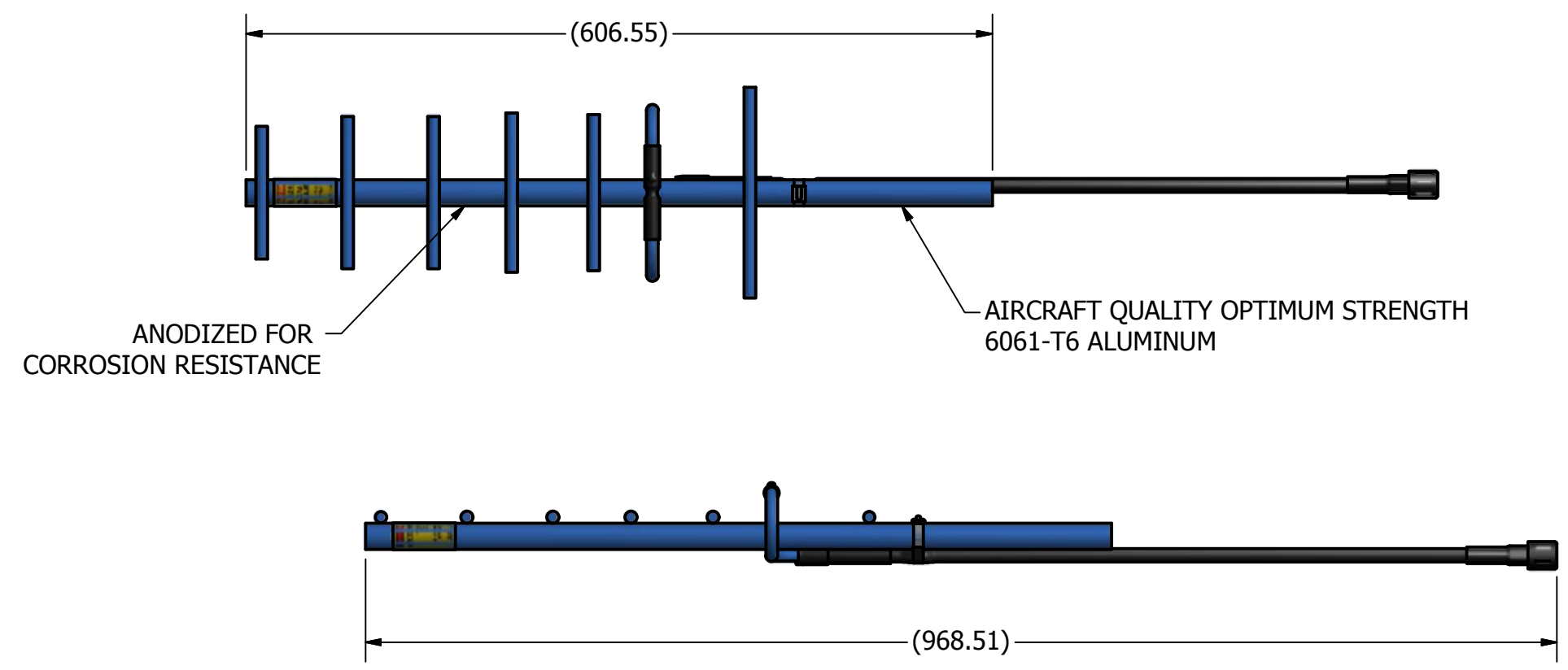
NOTES: UNLESS OTHERWISE SPECIFIED
 1. A (REF) DIMENSION IS FOR INFORMATION PURPOSES ONLY AND NO TOLERANCE IS IMPLIED.

SUPPLIER PRINT ACCEPTANCE: <input type="checkbox"/> Accept drawing/specification: No changes needed: <input type="checkbox"/> This part is RoHS compliant <input type="checkbox"/> This part is REACH compliant <input type="checkbox"/> Accept drawing/specification. Notes/Mark-ups added <input type="checkbox"/> Cannot accept drawing/spec. Notes/Mark-ups added Supplier Projected Outgoing Quality: SIGMA LEVEL : _____ or PPM: _____ Signature _____ Date: _____	UNLESS OTHERWISE SPECIFIED DIMENSIONS ARE IN MILLIMETERS FOR TOLERANCES NOT SPECIFIED USE: [X mm ± 3 mm] [X.X mm ± .3 mm] [X.XX mm ± .13 mm] ANGULAR ± 1°	DRAWN: CE DATE: 8/30/2016 CHECKED: IP DATE: 8/30/2016 MATERIAL: SEE COMPONENT PRINTS FINISH: SEE COMPONENT PRINTS	PCTEL, INC. 471 BRIGHTON DRIVE BLOOMINGDALE, IL 60108 PH. 630-372-6800 FAX. 630-372-8077
	THIRD ANGLE PROJECTION 	PCTEL PROPRIETARY DATA THE INFORMATION AND/OR DRAWINGS CONTAINED IN THIS DOCUMENT IS CONFIDENTIAL AND PROPRIETARY TO PCTEL, INC. AND MAY NOT BE USED, REPRODUCED, IN WHOLE OR IN PART, OR MODIFIED IN ANY WAY WITHOUT THE EXPRESS WRITTEN PERMISSION OF AN AUTHORIZED REPRESENTATIVE OF PCTEL, INC.	

REVISION HISTORY			
REV	DESCRIPTION	DATE	APPROVED
1	890-960 MHZ, 10 DBD 7 ELEMENT YAGI, N MALE, 25' LMR JUMPER	08/30/2016	CE



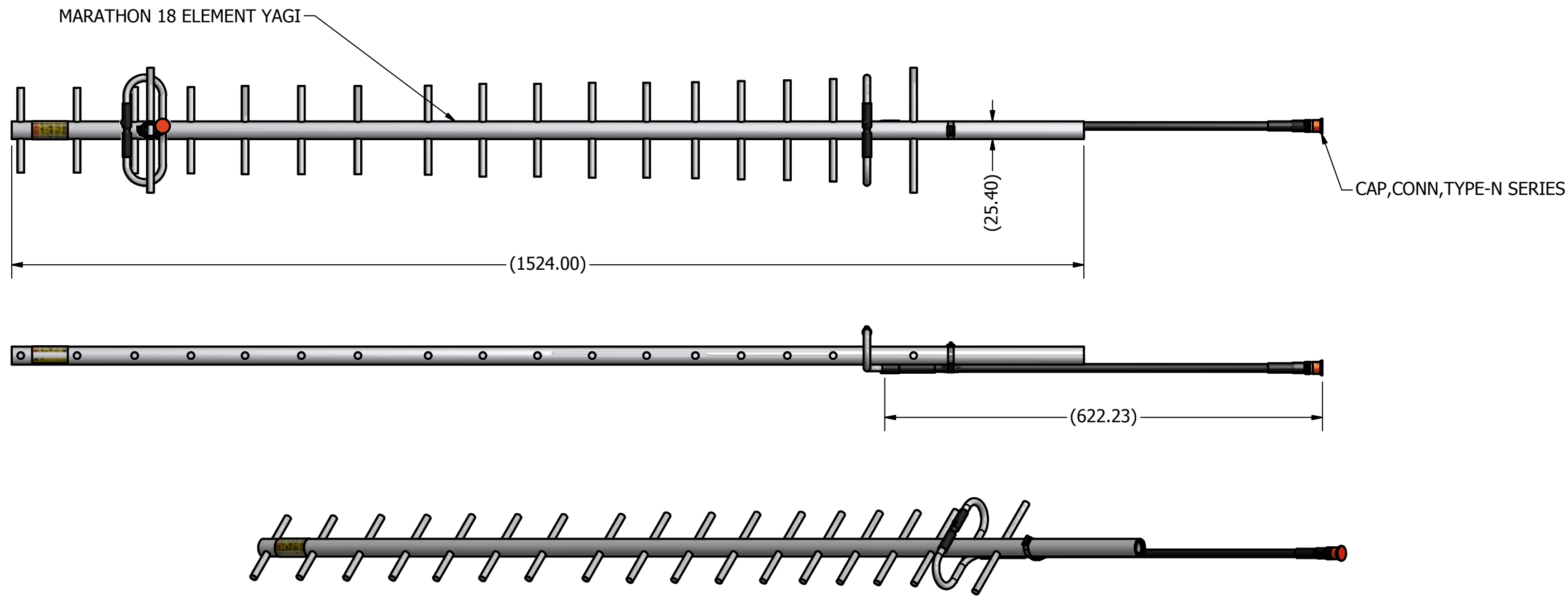
ISO-VIEW
SCALE 1/3.5



NOTES: UNLESS OTHERWISE SPECIFIED
1. A (REF) DIMENSION IS FOR INFORMATION PURPOSES ONLY AND NO TOLERANCE IS IMPLIED.

SUPPLIER PRINT ACCEPTANCE: <input type="checkbox"/> Accept drawing/specification: No changes needed: <input type="checkbox"/> This part is RoHS compliant <input type="checkbox"/> This part is REACH compliant <input type="checkbox"/> Accept drawing/specification. Notes/Mark-ups added <input type="checkbox"/> Cannot accept drawing/spec. Notes/Mark-ups added Supplier Projected Outgoing Quality: SIGMA LEVEL : _____ or PPM: _____ Signature _____ Date: _____	UNLESS OTHERWISE SPECIFIED DIMENSIONS ARE IN MILLIMETERS FOR TOLERANCES NOT SPECIFIED USE: [X mm ± 3 mm] [X.X mm ± .3 mm] [X.XX mm ± .13 mm] ANGULAR ± 1°	DRAWN: CE DATE: 8/30/2016 CHECKED: IP DATE: 8/30/2016 MATERIAL: SEE COMPONENT PRINTS FINISH: SEE COMPONENT PRINTS	PCTEL, INC. 471 BRIGHTON DRIVE BLOOMINGDALE, IL 60108 PH. 630-372-6800 FAX. 630-372-8077
	THIRD ANGLE PROJECTION 	PCTEL PROPRIETARY DATA THE INFORMATION AND/OR DRAWINGS CONTAINED IN THIS DOCUMENT IS CONFIDENTIAL AND PROPRIETARY TO PCTEL, INC. AND MAY NOT BE USED, REPRODUCED, IN WHOLE OR IN PART, OR MODIFIED IN ANY WAY WITHOUT THE EXPRESS WRITTEN PERMISSION OF AN AUTHORIZED REPRESENTATIVE OF PCTEL, INC.	

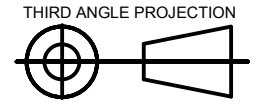
REVISION HISTORY			
REV	DESCRIPTION	DATE	APPROVED
1	806-896 MHZ, 14 DBD 18 ELEMENT YAGI, N FEMALE, 2FT JUMPER	08/30/2016	CE



NOTES: UNLESS OTHERWISE SPECIFIED
 1. A (REF) DIMENSION IS FOR INFORMATION PURPOSES ONLY AND NO TOLERANCE IS IMPLIED.

SUPPLIER PRINT ACCEPTANCE:
 Accept drawing/specification: No changes needed:
 This part is RoHS compliant
 This part is REACH compliant
 Accept drawing/specification. Notes/Mark-ups added
 Cannot accept drawing/spec. Notes/Mark-ups added
 Supplier Projected Outgoing Quality:
 SIGMA LEVEL : _____ or PPM: _____
 Signature _____ Date: _____

UNLESS OTHERWISE SPECIFIED DIMENSIONS ARE IN MILLIMETERS
 FOR TOLERANCES NOT SPECIFIED USE:
 [X mm ± 3 mm] [X.X mm ± .3 mm]
 [X.XX mm ± .13 mm] ANGULAR ± 1°



THIRD ANGLE PROJECTION
PCTEL PROPRIETARY DATA
 THE INFORMATION AND/OR DRAWINGS CONTAINED IN THIS DOCUMENT IS CONFIDENTIAL AND PROPRIETARY TO PCTEL, INC. AND MAY NOT BE USED, REPRODUCED, IN WHOLE OR IN PART, OR MODIFIED IN ANY WAY WITHOUT THE EXPRESS WRITTEN PERMISSION OF AN AUTHORIZED REPRESENTATIVE OF PCTEL, INC.

DRAWN: CE DATE: 8/30/2016
 CHECKED: IP DATE: 8/30/2016
 MATERIAL: SEE COMPONENT PRINTS
 FINISH: SEE COMPONENT PRINTS

PCTEL
 PCTEL, INC.
 471 BRIGHTON DRIVE
 BLOOMINGDALE, IL 60108
 PH. 630-372-6800
 FAX. 630-372-8077

DESCRIPTION: 806-896 MHz, 14 dBd 18 ELEMENT YAGI, N FEMALE 2' JUMPER

DRAWING NO. BMYD8060

SIZE: B SCALE: 1:1 SHEET: 1 OF 1